

FLANGE ACCORDING TO ANSI B 16-5

REP	NB	DN	SERIE	DESIGNATION	duf. dia	TYPE	FACE	BRIDES/flanges	REINFORC
J970	2	2"	600#	LEVEL SWITCH HIGH HIGH	772 ± 115.5 ± 0.48	RF			
J374	2	2"	600#	LEVEL GAUGE	772 ± 115.5 ± 0.48	RF			
J576	2	2"	600#	LEVEL GAUGE	772 ± 115.5 ± 0.48	RF			
J516	2	2"	600#	LEVEL TRANSMITTER	772 ± 115.5 ± 0.48	RF			
J1708	2	2"	600#	LEVEL TRANSMITTER	772 ± 115.5 ± 0.48	RF			
J3912	2	2"	600#	LEVEL SWITCH LOW LOW	772 ± 115.5 ± 0.48	RF			
J1914	2	2"	600#	LEVEL SWITCH HIGH HIGH	772 ± 115.5 ± 0.48	RF			
H172	7	3/4"	600#	HANDHOLE	1122 ± 256.7 ± 4	RF			
H1	1	1 1/2"	600#	GAS INLET	864 ± 223.3 ± 4	RF			
N2	1	1 1/2"	600#	GAS OUTLET	864 ± 223.3 ± 4	RF			
N3	1	3"	600#	LEAN GLYCOL INLET	1077 ± 184.5 ± 1.6	RF			
N4	1	3"	600#	RICH GLYCOL OUTLET	1077 ± 184.5 ± 1.6	RF			
H8	1	1 1/2"	600#	CONDENSATE OUTLET	772 ± 115.5 ± 0.48	RF			
H6	1	2"	600#	VENT	772 ± 115.5 ± 0.48	RF			
H7	1	2"	600#	DRAIN	772 ± 115.5 ± 0.48	RF			
H9	1	2"	600#	HYDROCARBON DRAIN	772 ± 115.5 ± 0.48	RF			
H9	1	2"	600#	PURGE	772 ± 115.5 ± 0.48	RF			
H10	1	1 1/2"	600#	PRESSURE SAFETY VALVE	772 ± 115.5 ± 0.48	RF			
H12	2	2"	600#	PRESSURE DIFFERENTIAL IND.	772 ± 115.5 ± 0.48	RF			

TABEAU DES TUBULURES / NOZZLES TABLE

MATIERES / MATERIALS

DESCRIPTION	MATIERES / MATERIALS
VIRILES	A516Gr70+Incoloy 825 SHELL
FONDS	A516Gr70+Incoloy 825 HEADS
JUPE	A516Gr70+A285GrC SADDLES-SKIRT-LEGS
SUPPORTS PLATEAUX	INCOLOY 825 TRAYS SUPPORTS
SUPPORTS EXTERIEURS	A516Gr70+A285GrC EXTERNAL SUPPORTS
ACCESSOIRES EXTERIEURS	A516Gr70+A285GrC EXTERNAL GUSSETS
ACCESSOIRES INTERIEURS	SEE NOTE 8 INTERNAL ACCESS.
BRIDES	SEE NOTE 1 FLANGES
TUBES INF. DU EGAL A 16"	SEE NOTE 1 SEAMLESS PIPES
TUBES ROULEES	SEE NOTE 1 WELDED PIPES
REINFORC	SEE NOTE 1 REINFORCEMENTS
TIGES FILETES EXT.	A 193 Gr B7M EXTERNAL STUD BOLTS
ECROUS EXTERIEURS	A 194 Gr 2HM EXTERNAL NUTS
TIGES FILETES INT.	INCOLOY 825 INTERNAL STUD BOLTS
ECROUS INTERIEURS	INCOLOY 825 INTERNAL NUTS
BOULONS INTERIEURS	INCOLOY 825 INTERNAL BOLTS
JOINTS	Flat metal jacket GASKETS

DONNEES / DESIGN DATA

CODE	SEE NOTE 10	CODE	CLASS OF CONSTRUCT.
CATEGORIE DE CONSTRUCT.	SEE NOTE 10	CHARGE DE VENT	WIND LOAD
CHARGE SISMIQUE	SEE NOTE 6	CHARGE SISMIQUE	SEISMIC LOAD
NATURE DU FLUIDE	GLYCOL	NATURE DU FLUIDE	FLUID
MASS SPECIFIQUE	GLYCOL	MASS SPECIFIQUE	DENSITY
PROFIL DES FONDS	ELLIPTICAL 2/1	PROFIL DES FONDS	HEAD TYPE
TYPE DE FILETAGE	1/2" UNC. x 1/8" UNF.	TYPE DE FILETAGE	THREAD TYPE
EP. CALORIFUGE	SEE NOTE 1	EP. CALORIFUGE	INSULATION THK
IGNIFUGE	SEE NOTE 1	IGNIFUGE	FIRE PROOFING
SABLAGE	SA 2.5	SABLAGE	BLASTING
PEINTURE	SEE NOTE 7	PEINTURE	PAINTING
TEMPERATURE DE SERVICE	52.7 °C	TEMPERATURE DE SERVICE	OPERATING TEMP.
TEMPERATURE DE CALCUL	-20/85 °C	TEMPERATURE DE CALCUL	DESIGN TEMPERAT.
PRESSION DE SERVICE	61.6 barg	PRESSION DE SERVICE	OPERATING PRESSURE
PRESSION DE CALCUL	93.1 barg	PRESSION DE CALCUL	DESIGN PRESSURE
REGLEMENTATION	SEE NOTE 2	REGLEMENTATION	FRENCH OFFICIAL INSP.
PRESSION EPREUVE MINES	SEE NOTE 2	PRESSION EPREUVE MINES	OFFICIAL TEST PRESSURE
PRESSION EPREUVE HYDRAUL.	SEE NOTE 2	PRESSION EPREUVE HYDRAUL.	HYDRAUL. TEST PRESSURE
TRAITEMENT THERMIQUE	YES	TRAITEMENT THERMIQUE	POST WELD HEAT TREAT.
CONTROLES	SEE NOTE 11	CONTROLES	CONTROLS
COEFFICIENT DE JOINT	1	COEFFICIENT DE JOINT	JOINT EFFICIENCY
SERVICE	CLAD INCOLOY 825	SERVICE	CORROSION SERVICE

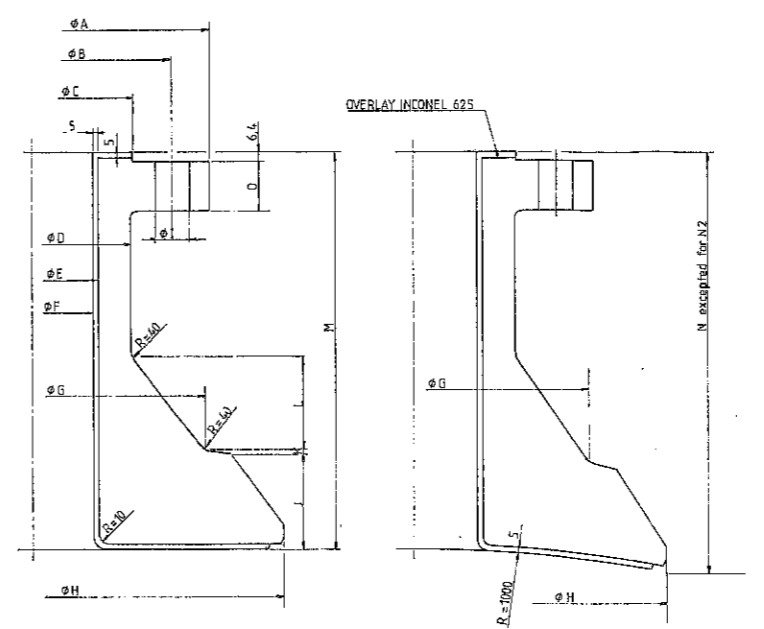
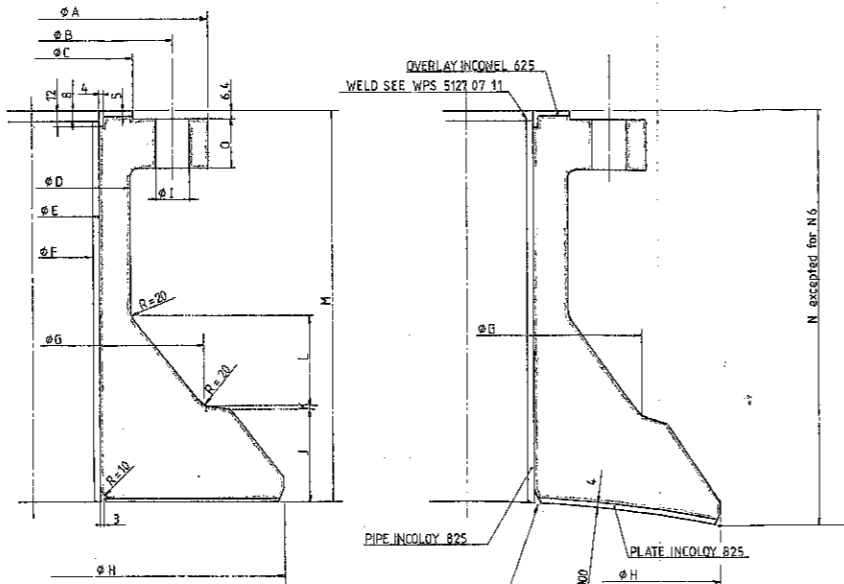
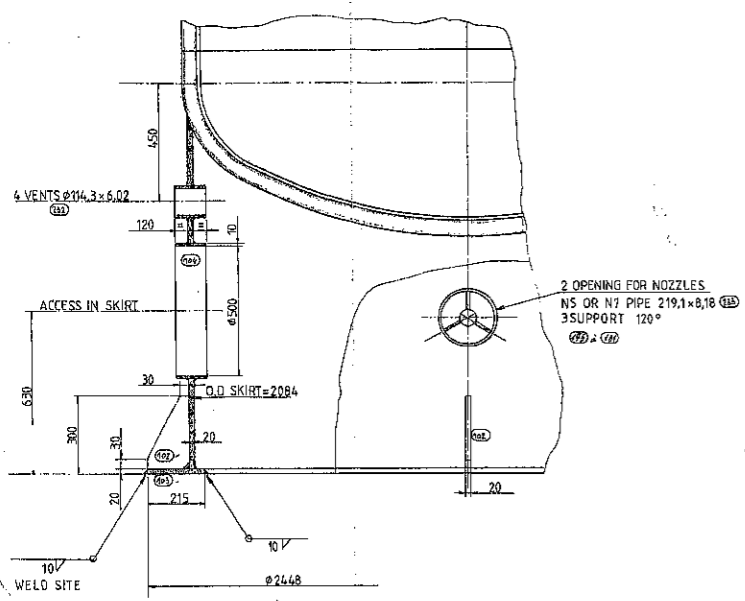
ACCESSOIRES / ACCESSORIES

PS = PLAQUE SIGNALÉTIQUE	1	NAME PLATE
MT = MISE A LA TERRE	2	GROUNDING PLATE
TA = TROU D'ACCES JUPE	1	SKIRT ACCESS. HOLE
EV = VENT	4	VENT

CAPACITE WEIGHT AND CAPACITY

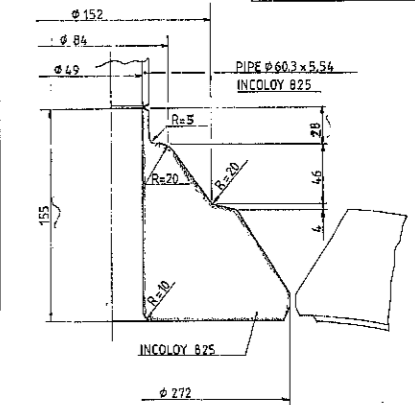
Poids à vide	46500 Kg	EMPTY WEIGHT
Poids des internes	26300 Kg	WEIGHT INTERNALS
Poids à l'hydrotest	75200 Kg	TEST WEIGHT
Capacité	287 m³	CAPACITY

**SKIRT AND ANCHORS CHAIRS DETAIL**



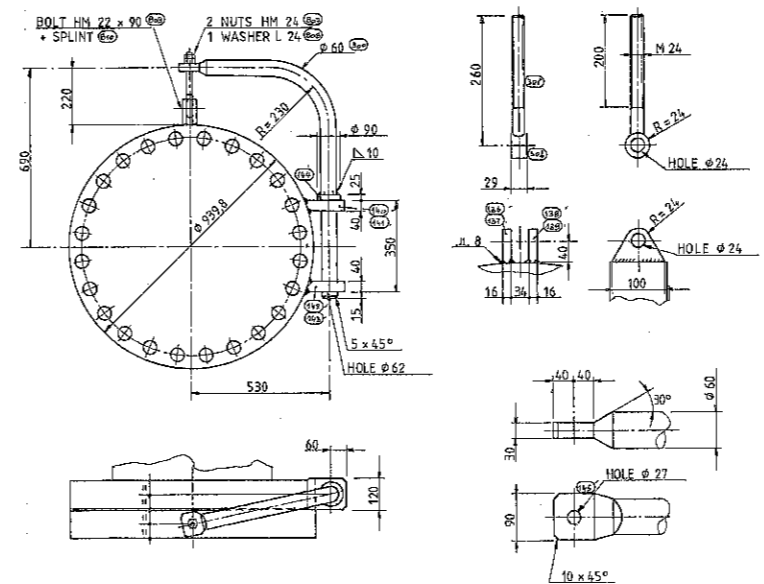
NOZZLE	16"	24"	4"
φ A	685,8	939,8	273,05
φ B	603,2	836,2	215,9
φ C	469,9	692,1	157,2
φ D	495	718	152
φ E	406,4	609,6	101,6
φ F	(396,4)	599,6	(91,6)
φ G	725	998	264
φ H	849	1122	384
φ I	41,3 x 20	50,8 x 24	25,4 x 8
J	105,5	105	70
K	7,5	8,66	3
L	70	115	70
M	400	500	300
N	494,6	672,2	318,6
O	76,2	101,6	38,1

**NOZZLES N5 N7 DETAILS**

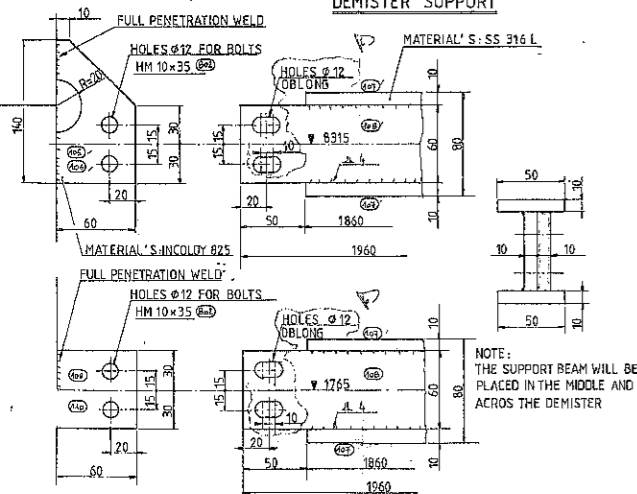


NOZZLE	2"	3"
φ A	165,1	209,55
φ B	127	168,3
φ C	92,1	127
φ D	84	117
φ E	48,5	74
φ F	40,96	63,68
φ G	152	197
φ H	272	327
φ I	19,05 x 8	22 x 8
J	74	70
K	4	4
L	42	57
M	250	300
N	259,3	313,5
O	25,4	31,8

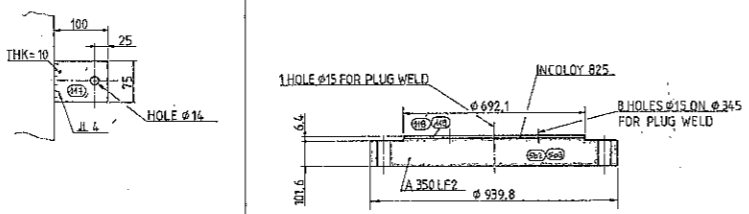
**DAVIT FOR MANHOLE DETAIL**



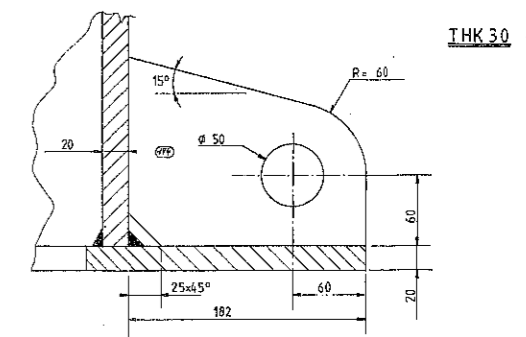
**DEMISTER SUPPORT**



**EARTHING PLATE**

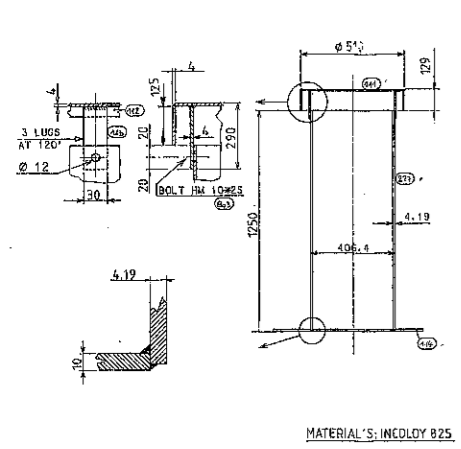


**LUG DETAIL**

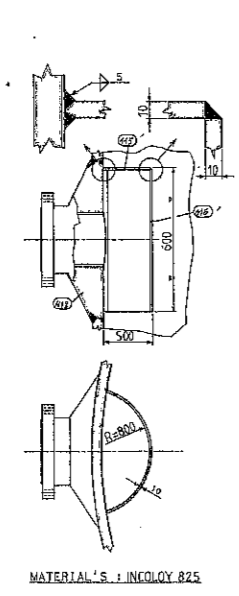


INTERNALS WELDS ON PRESSURES PARTS: FULL PENETRATION WELD AND GROUND FLUSH WITH CLAD

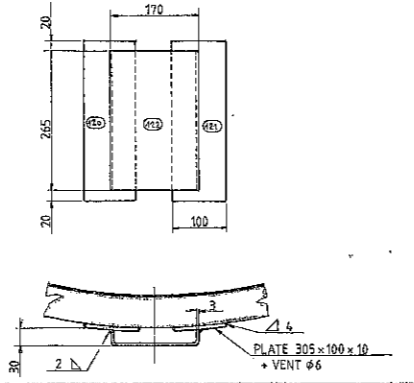
**CHIMNEYS DETAILS**



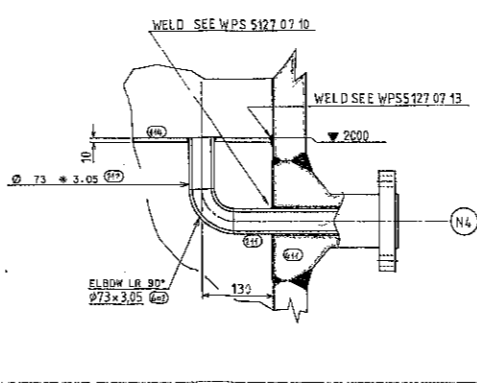
**DEFLECTOR ON NOZZLE "N1"**



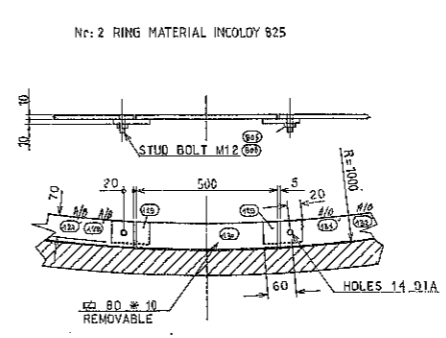
**NAME PLATE SUPPORT**



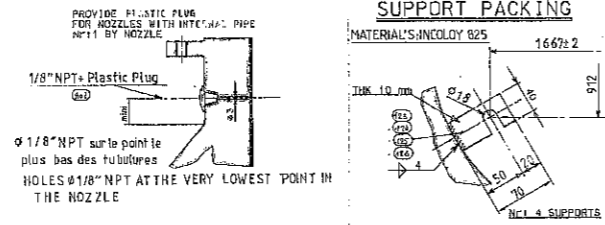
**NOZZLE N4 DETAIL**



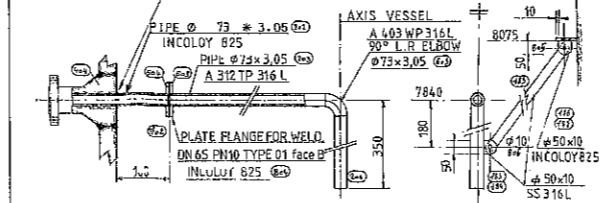
**WIRE MESH SUPPORT**



**SUPPORT PACKING**



**NOZZLE "N3" DETAIL**



**VORTEX BREAKER ON NOZZLE "N5"**

